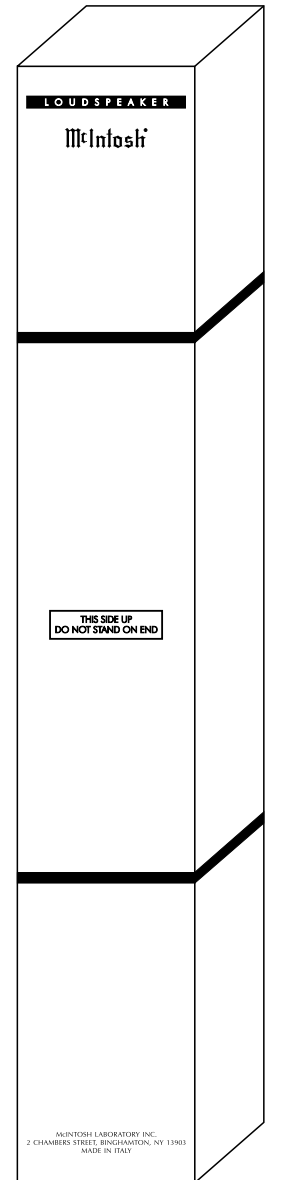
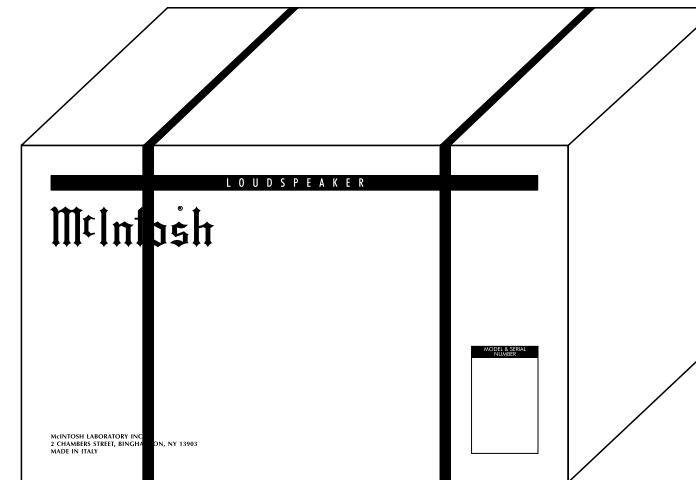
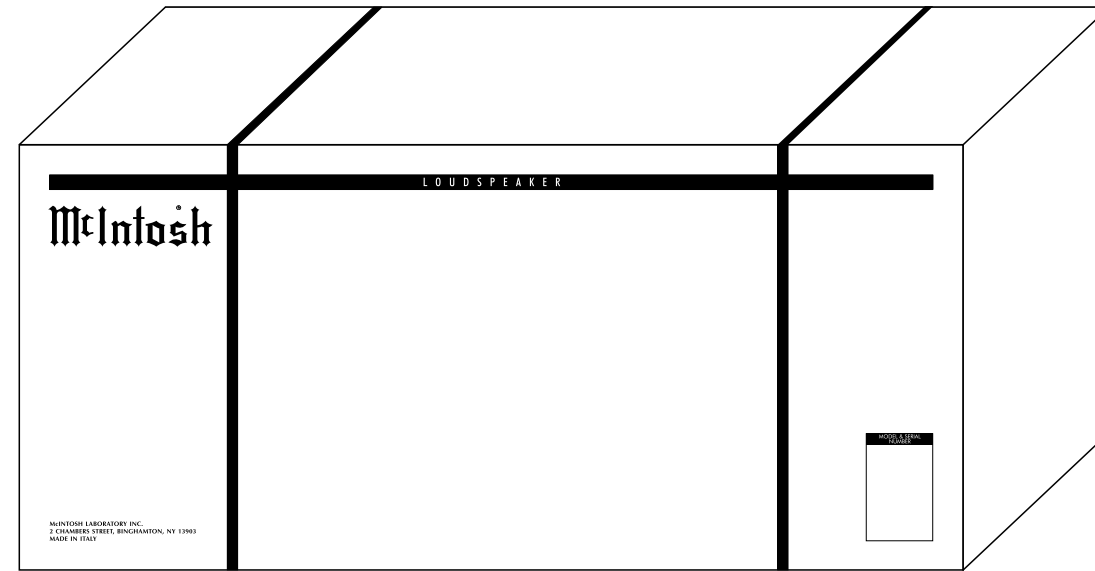




XRT2.1K Loudspeaker System Unpacking Information Guide



McIntosh Laboratory, Inc.
2 Chambers Street
Binghamton, NY 13903
www.mcintoshlabs.com



Unpacking the Loudspeaker

CAUTION: When this Loudspeaker System is assembled it weighs 353.2 pounds (160.2 kgs). It requires four or more persons to safely handle during assembly and placement in the room.

Follow these instructions for unpacking the XRT2.1K Left and Right Loudspeaker System. It is important to keep the three Loudspeaker Sections (Bottom Low Frequency/Lower Midrange Frequency, Top Low Frequency and Upper Midrange/High Frequency Column) for each Channel (Left and Right) separate during the unpacking and assembly process. To protect the fine finish of the XRT2.1K Loudspeaker System after it is unpacked and assembled, it is advisable to prepare a suitable area. A freshly vacuumed carpeted area covered with a soft, clean fabric, such as a large bed linen or blanket would be suitable. Start by unpacking the Upper Midrange/High Frequency Column and Grille, first.

It is recommended that the Professionals at your McIntosh Dealer, who are skilled in all aspects of installation and operation, install the XRT2.1K Loudspeaker System and any associated audio equipment.

Unpacking the Upper Midrange/High Frequency Column and Grille

1. Remove the two banding strips from the shipping carton. Refer to figure A.
2. Lift off the top of the shipping carton and set it aside.
3. There are side slits located near the top of Foam Packing pieces allowing for the removal of the two Loudspeaker Column Grilles.
4. Remove the packing covers from the two Loudspeaker Column Grilles.
5. Place the just unpacked Loudspeaker Column Grilles in a safe place until the XRT2.1K Loudspeaker is fully assembled.
6. Lift up on the rear of the Midrange/High Frequency Column and remove the five pieces of foam packing material. Then carefully remove the protective cloth cover from the Column and place it in a safe place until the Column is attached to assembled Low Frequency/Low Frequency Midrange Column.
7. Re-assemble the shipping carton containing the protective covers and foam packing pieces and put it aside for possible reuse in the future.

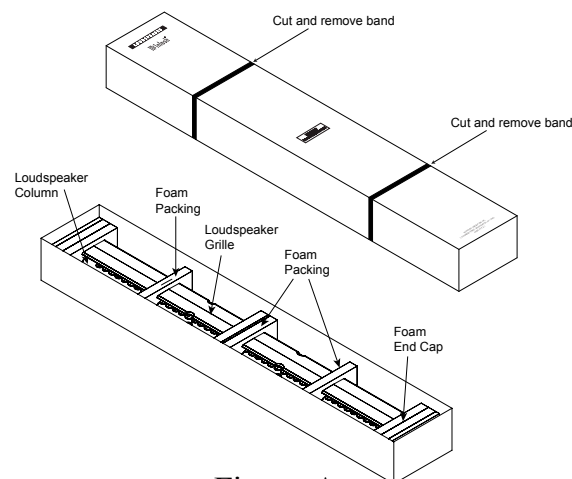


Figure A

Unpacking the Low Frequency Column (Upper Section)

1. Remove the banding strips from the shipping carton.
2. Lift off the top of the shipping carton and set it aside.
3. Reposition the bottom of the shipping carton containing the Low Frequency Column to a vertical position as illustrated in figure B.
4. Remove the Column together with the Foam Packing Material from the bottom of the carton by pulling it forward, near the bottom of the Column and bottom Foam Packing Material.
5. Referring to figure C, remove the four sections of the Foam Packing from the Column.
6. Carefully remove the protective cloth cover from the Column. Then remove the Column Grille and place both items in a safe location until the Column is to be assembled with the Lower Column to be unboxed next.
7. Save all of the Low Frequency Column packing material, cloth covers and the shipping carton for possible reuse in the future.

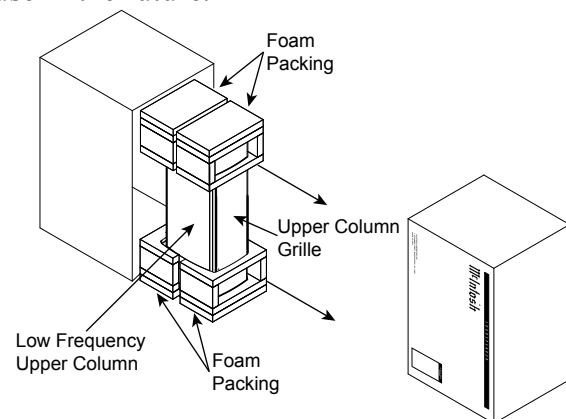


Figure B

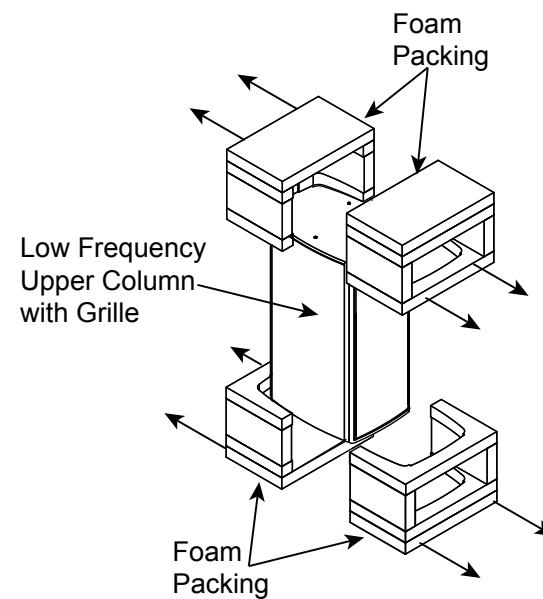


Figure C

Unpacking the Low Frequency and Lower Frequency Midrange Column (Lower Section)

1. Remove the banding strips from the shipping carton.
2. Lift off the top of the shipping carton and set it aside.
3. Reposition the bottom of the shipping carton containing the Low Frequency and Lower Frequency Midrange Column to a vertical position as illustrated in figure D.
4. Remove the Column and Accessories Box together with the Foam Packing Material from the bottom of the carton by pulling it forward, near the bottom of the Column and bottom Foam Packing Material.
5. The Accessories Box contains the XRT2.1K Owner's Manual Package, Mounting Hardware to fasten the XRT2.1K three Column Sections together and the Hand Tools necessary for installing the mounting hardware. It also contains the Lower Frequency Midrange Center Section Grilles.
6. Referring to figure E, remove the four sections of the Foam Packing from the Lower Column Section.
7. Carefully remove the protective cloth cover from the Lower Column Section. Then remove the Column Grille and place both items in a safe location until the Column is to be assembled with Lower Column to be unboxed next.
8. Save all of the Low Frequency Column packing material, cloth covers and the shipping carton for possible reuse in the future.

9. Refer to page 6 in the XRT2.1K Owner's Manual for instructions on assembling the Loudspeaker.

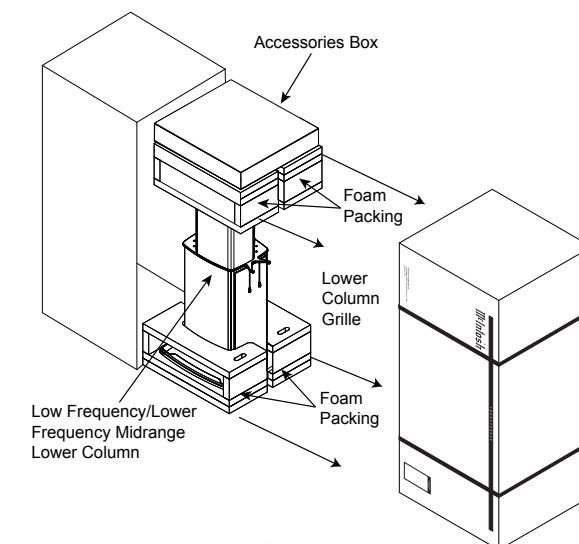


Figure D

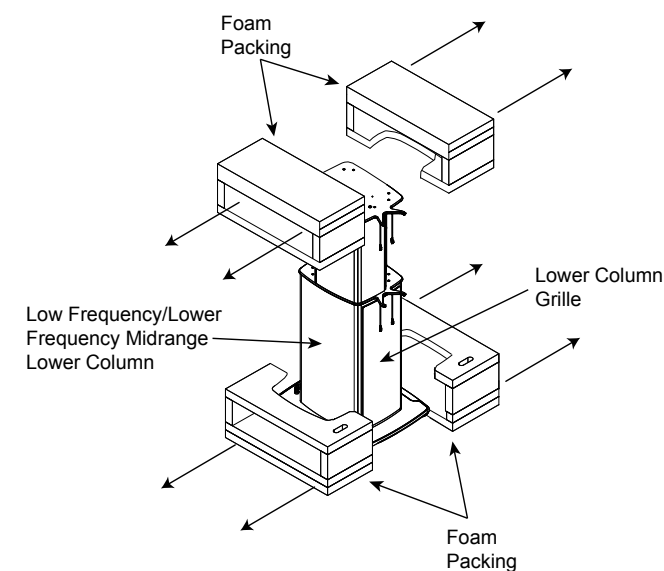


Figure E

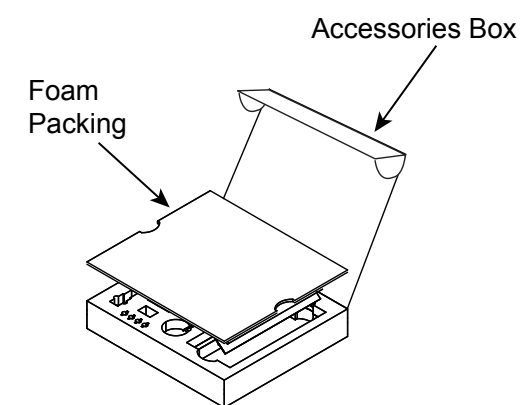


Figure F